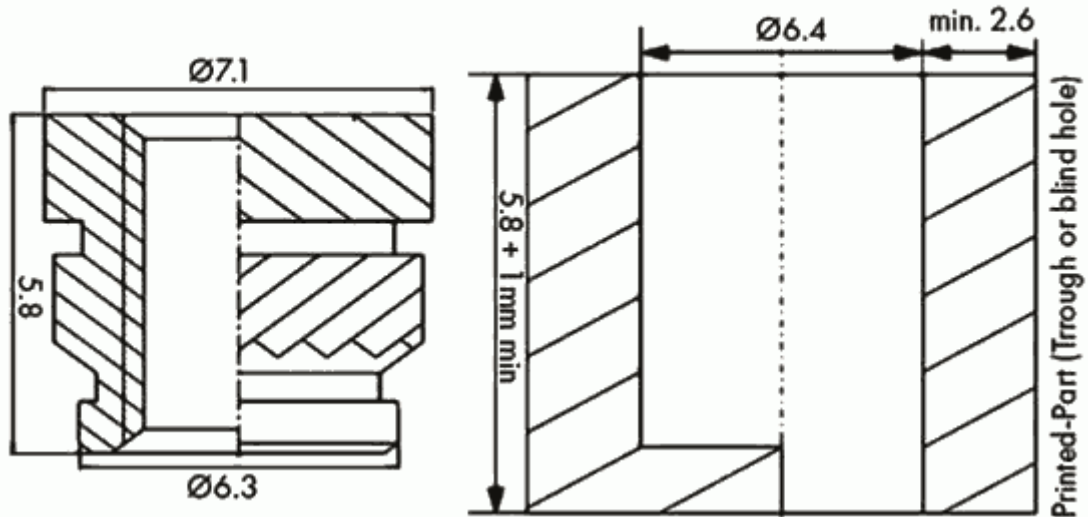


# [Impresión 3D] Insertos roscados

## Inserto roscado M5 corto, M5x5,8

### RX -M5Sx5.8 THREADED INSERTS



From:  
<https://ww.euloxio.myds.me/dokuwiki/> - Euloxio wiki

Permanent link:  
<https://ww.euloxio.myds.me/dokuwiki/doku.php/doc:tec:print3d:inserto:inicio>

Last update: 2023/11/06 22:06

