

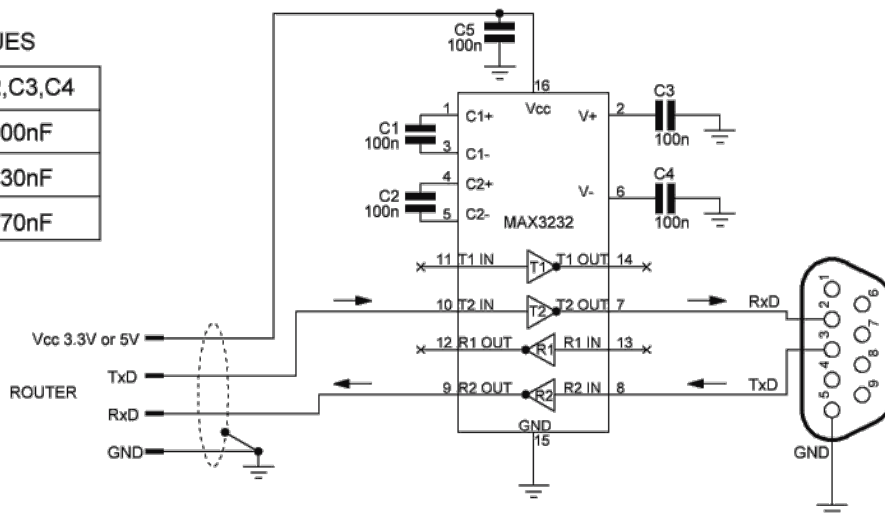
TFTP install/recovery via serial

For v8,v9,v10,v11 TFTP install is much easier

Beware that this installation method needs a TTL level serial console usb to TTL like DKU-5 data cable or RS232-TTL level shifter like this:

REQUIRED CAPACITOR VALUES

VCC	C1	C2,C3,C4
3.0 to 3.6	100nF	100nF
4.5 to 5.5	47nF	330nF
3.0 to 5.5	100nF	470nF



and a working TFTP server and should not be attempted unless you have experience with this sort of thing or are eager to learn.

This is taken more or less verbatim from <https://forum.openwrt.org/viewtopic.php?id=24203>, thanks to dl3daz.

- 1) Download an appropriate image to serve from your TFTP server (for example, openwrt-ar71xx-generic-tl-wr841n-v8-squashfs-factory.bin for v8).
- 2) Hook your routers WAN ethernet port up to your network (for v8.2 it's LAN1 ethernet port)
- 3) Hook up the serial console as explained in the section "serial console". At the prompt "Autobooting in 1 seconds" type "tpl" quickly to start a uboot console.
- 4) Now we need to set router and server IP addresses (here named ROUTERIP and SERVERIP, substitute these with the real IP addresses).

Type in the console:

```
setenv ipaddr ROUTERIP
setenv serverip SERVERIP
printenv
```

For example: Configure this static ip for your LAN card 192.168.1.100. If your computer containing other LAN or Wifi card, disable it!

Type in the console

```
setenv ipaddr 192.168.1.111
setenv serverip 192.168.1.100
```

192.168.1.111 is the router ip, 192.168.1.100 is the TFTP server ip.

Double check that the output of printenv lists the IP addresses you just set.

Uboot needs the tftp server to be listening on port 69. Make sure your server is configured to listen to that port. Now we can load the firmware over TFTP with "tftpboot 0x80000000 openwrt-ar71xx-generic-tl-wr841n-v8-squashfs-factory.bin":

2. Copy RAM content to flash:

```
wasp> cp.b 0x80000000 0x9f020000 0x3c0000
```

3. Set up the boot

```
wasp> bootm 0x9f020000
## Booting image at 9f020000 ...
Uncompressing Kernel Image ... OK

Starting kernel ...
```

4. Done.

From:
<https://www.euloxio.myds.me/dokuwiki/> - **Euloxio wiki**

Permanent link:
https://www.euloxio.myds.me/dokuwiki/doku.php/doc:tec:net:router_openwrt:wr841n:owrt_tftp

Last update: **2025/04/28 09:18**

